



## CARACTERÍSTICAS:

Marcação: IP66

## CARACTERÍSTICAS CONTRUTIVAS:

Caixa de ligação retangular em diversos tamanhos conforme tabela. Caixa e tampa em alumínio de alta resistência mecânica e à corrosão. Tampa provida com junta de vedação em neoprene / silicone resistente ao calor e umidade. Fixação da tampa por parafusos e arruelas em aço inox.

- Entradas nas laterais com rosca nos padrões NPT, BSP, Métrica ou Passante (vide tabela).
- Conectores de Passagem (Bornes), ver tabelas. A pedido.
- Consulte fornecimento com Prensa-cabos e ou União Macho-Fêmea.
- Terminal de aterramento interno e externo a pedido.
- Pintura epóxi na cor cinza munsell N6.5.
- Desenvolvimento de outros projetos de caixas sob consulta.

## APLICAÇÃO:

Passagem e ligação de condutores elétricos.

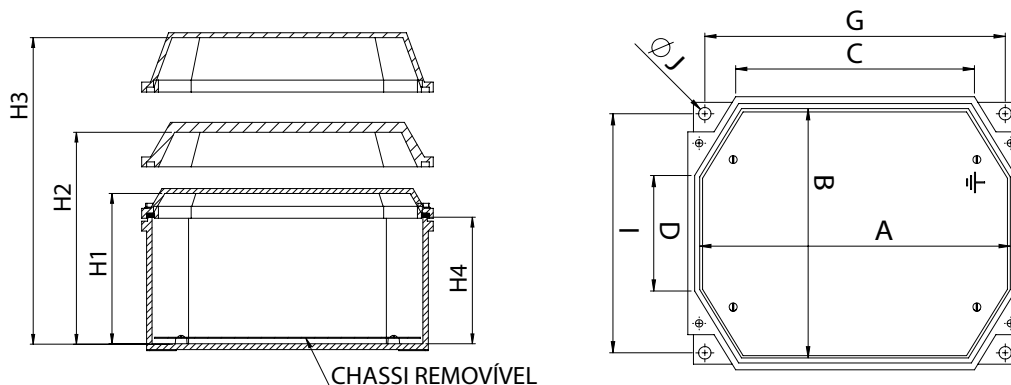
Indústrias: químicas, transformação, petroquímicas, de tintas e vernizes, farmacêuticas, alimentícias, plataformas de petróleo, depósitos de produtos inflamáveis, armazenagem e transporte de grãos, etc.

## INSTALAÇÃO E MANUTENÇÃO:

Conexões, prensa-cabos utilizados nas entradas roscadas devem ter um grau de proteção de no mínimo IP66.

As entradas roscadas não podem sofrer nenhum tipo de dano. Para maior vida útil do equipamento, utilize graxa protetora rosca.

Detalhamento:



Dimensões (mm)

Código	INTERNAS				CHASSI		INTERNAS				FIXAÇÃO		
	A	B	C	D	E	F	H1	H2	H3	H4	G	I	ØJ
CX/R14P-12	116	76	95	58	110	70	58	---	---	50	-	-	7
CX/R14P-14	141	100	70	58	110	90	100	---	125	79	136	96	7
CX/R14P-17	172	143	80	66	130	130	120	145	---	94	158	128	11
CX/R14P-22	216	142	116	80	180	130	120	145	---	94	208	128	11
CX/R14P-27	275	142	171	80	235	130	120	145	---	94	263	128	11
CX/R14P-35	341	141	236	80	300	130	120	145	---	94	328	128	11
CX/R14P-45	440	140	335	80	400	130	120	145	---	94	428	128	11
CX/R14Q-22	221	219	160	114	210	180	160	185	230	134	208	208	11
CX/R14M-22	275	220	205	96	265	165	160	185	---	134	263	208	11
CX/R14M-27	276	273	205	151	265	220	160	185	---	134	263	263	11
CX/R14M-35	342	275	216	205	285	265	160	185	---	134	328	263	11
CX/R14M-40	400	275	276	205	345	265	160	---	---	134	388	263	11
CX/R14M-45	445	275	321	205	386	265	160	---	230	134	433	263	11
CX/R14M-50	490	275	365	205	450	265	160	185	---	134	478	263	11



Dimensões (mm)													
	INTERNAS				CHASSI		INTERNAS				FIXAÇÃO		
Código	A	B	C	D	E	F	H1	H2	H3	H4	G	I	ØJ
CX/R14M-55	555	275	431	205	500	265	160	---	---	134	543	263	11
CX/R14M-60	600	275	476	205	545	265	160	---	---	134	588	263	11
CX/R14M-70	685	275	561	205	630	265	160	---	---	134	673	263	11
CX/R14G-40	400	350	280	276	345	340	220	---	---	194	388	338	11
CX/R14G-45	445	350	321	280	386	340	220	---	290	194	433	388	11
CX/R14G-50	500	350	425	280	420	340	220	---	---	194	433	338	11
CX/R14G-55	555	350	431	280	500	340	220	---	290	194	343	338	11
CX/R14G-60	600	350	476	280	545	340	220	---	---	194	588	338	11
CX/R14G-70	685	350	561	280	630	340	220	---	290	194	588	338	11
CX/R14G-90	850	348	784	315	830	350	235	---	---	194	845	363	11
CX/R14G-95	910	400	770	310	860	380	320	---	---	285	890	382	11
CX/R14G-100	985	400	850	310	935	386	320	---	---	285	968	382	11
CX/R14E-55	540	485	421	415	500	460	197	---	---	187	537	480	11
CX/R14E-80	770	550	715	505	755	545	300	---	---	265	775	535	11

Modelo	QUANTIDADE MÁXIMA DE BORNES									
	0,5 – 2,5		0,5 – 4,0		0,5 – 6,0		1,5 – 10,0		4,0 – 16,0	
	QTD. RÉGUA	TOTAL BORNES	QTD. RÉGUA	TOTAL BORNES	QTD. RÉGUA	TOTAL BORNES	QTD. RÉGUA	TOTAL BORNES	QTD. RÉGUA	TOTAL BORNES
CX/R14P-12	1	8	---	---	---	---	---	---	---	---
CX/R14P-14	1	8	---	---	---	---	---	---	---	---
CX/R14P-17	1	12	1	10	1	8	---	---	---	---
CX/R14P-22	1	20	1	18	1	15	---	---	---	---
CX/R14P-27	1	26	1	24	1	18	---	---	---	---
CX/R14P-35	1	37	1	34	1	28	---	---	---	---
CX/R14P-45	1	50	1	46	1	28	---	---	---	---
CX/R14Q-22	1	20	1	18	1	15	1	12	---	---
CX/R14M-22	2	34	2	32	1	13	1	10	1	8
CX/R14M-27	2	46	2	42	1	17	1	14	1	11
CX/R14M-35	2	68	2	62	1	25	1	20	1	17
CX/R14M-40	2	88	2	80	1	33	1	26	1	22
CX/R14M-45	2	102	2	94	1	38	1	30	1	25
CX/R14M-50	2	116	2	108	1	44	1	35	1	29
CX/R14M-55	2	132	2	122	1	50	1	40	1	33
CX/R14M-60	2	148	2	136	1	55	1	44	1	37
CX/R14M-70	2	176	2	162	1	66	1	53	1	44
CX/R14G-40	2	88	2	80	2	66	2	52	1	22
CX/R14G-45	2	102	2	94	2	76	2	60	1	25
CX/R14G-50	2	116	2	108	2	88	2	70	1	29
CX/R14G-55	2	132	2	122	2	100	2	80	1	33
CX/R14G-60	2	148	2	136	2	110	2	88	1	37
CX/R14G-70	2	176	2	162	2	132	2	106	1	44
CX/R14G-90	2	210	2	176	2	160	2	120	1	59
CX/R14G-95	2	240	2	210	2	180	2	140	1	63
CX/R14G-100	2	270	2	240	2	200	2	160	1	69
CX/R14E-55	2	132	2	122	2	100	2	80	1	33
CX/R14E-80	2	200	2	166	2	150	2	110	1	50

Modelo	QUANTIDADE MÁXIMA DE BORNES									
	10,0 – 35,0		16,0 – 70,0		16,0 – 95,0		35,0 – 150,0		35,0 – 240,0	
	QTD. RÉGUA	TOTAL BORNES	QTD. RÉGUA	TOTAL BORNES	QTD. RÉGUA	TOTAL BORNES	QTD. RÉGUA	TOTAL BORNES	QTD. RÉGUA	TOTAL BORNES
CX/R14P-12	---	---	---	---	---	---	---	---	---	---
CX/R14P-14	---	---	---	---	---	---	---	---	---	---
CX/R14P-17	---	---	---	---	---	---	---	---	---	---
CX/R14P-22	---	---	---	---	---	---	---	---	---	---
CX/R14P-27	---	---	---	---	---	---	---	---	---	---
CX/R14P-35	---	---	---	---	---	---	---	---	---	---
CX/R14P-45	---	---	---	---	---	---	---	---	---	---
CX/R14Q-22	---	---	---	---	---	---	---	---	---	---
CX/R14M-22	1	5	---	---	---	---	---	---	---	---
CX/R14M-27	1	7	---	---	---	---	---	---	---	---
CX/R14M-35	1	11	---	---	---	---	---	---	---	---
CX/R14M-40	1	14	---	---	---	---	---	---	---	---
CX/R14M-45	1	17	---	---	---	---	---	---	---	---
CX/R14M-50	1	19	---	---	---	---	---	---	---	---
CX/R14M-55	1	22	---	---	---	---	---	---	---	---
CX/R14M-60	1	24	---	---	---	---	---	---	---	---
CX/R14M-70	1	29	---	---	---	---	---	---	---	---
CX/R14G-40	1	14	1	12	1	8	1	7	1	6
CX/R14G-45	1	17	1	13	1	10	1	8	1	7
CX/R14G-50	1	19	1	14	1	11	1	10	1	8
CX/R14G-55	1	22	1	18	1	14	1	12	1	10
CX/R14G-60	1	24	1	20	1	15	1	13	1	11
CX/R14G-70	1	29	1	24	1	18	1	16	1	14
CX/R14G-90	1	39	1	32	1	25	1	22	1	19
CX/R14G-95	1	42	1	34	1	27	1	23	1	20
CX/R14G-100	1	46	1	37	1	29	1	26	1	22
CX/R14E-55	1	22	1	18	1	14	1	12	1	10
CX/R14E-80	1	31	1	24	1	18	1	16	1	14

## QUANTIDADE MÁXIMA DE ENTRADAS - LATERAIS MENORES

	NPT / BSP	1/2"	3/4"	1"	1.1/4"	1.1/2"	2"	2.1/2"	3"	4"
Código	Métrica	M20	M25	M32	M40	M50	M63	M75	M90	M100
CX/R14P-12		1	1	1	---	---	---	---	---	---
CX/R14P-14		1	1	1	1	1	---	---	---	---
CX/R14P-17		2	1	1	1	1	1	---	---	---
CX/R14P-22		2	1	1	1	1	1	---	---	---
CX/R14P-27		2	1	1	1	1	1	---	---	---
CX/R14P-35		2	1	1	1	1	1	---	---	---
CX/R14P-45		2	1	1	1	1	1	---	---	---
CX/R14Q-22		6	6	2	2	1	1	1	1	---
CX/R14M-22		8	6	3	2	2	1	1	1	---
CX/R14M-27		8	6	3	2	2	1	1	1	---
CX/R14M-35		8	6	3	2	2	1	1	1	---
CX/R14M-40		8	6	3	2	2	1	1	1	---
CX/R14M-45		8	6	3	2	2	1	1	1	---
CX/R14M-50		8	6	3	2	2	1	1	1	---
CX/R14M-55		8	6	3	2	2	1	1	1	---
CX/R14M-60		8	6	3	2	2	1	1	1	---
CX/R14M-70		8	6	3	2	2	1	1	1	---
CX/R14G-40		15	12	8	6	6	2	2	2	1
CX/R14G-45		15	12	8	6	6	2	2	2	1
CX/R14G-50		15	12	8	6	6	2	2	2	1
CX/R14G-55		15	12	8	6	6	2	2	2	1
CX/R14G-60		15	12	8	6	6	2	2	2	1
CX/R14G-70		15	12	8	6	6	2	2	2	1
CX/R14G-90		15	15	8	6	6	2	2	2	1
CX/R14G-95		20	20	12	9	6	4	4	2	1
CX/R14G-100		20	20	12	9	6	4	4	2	1
CX/R14E-55		15	12	8	6	6	2	2	2	1
CX/R14E-80		24	24	14	10	10	3	3	3	2

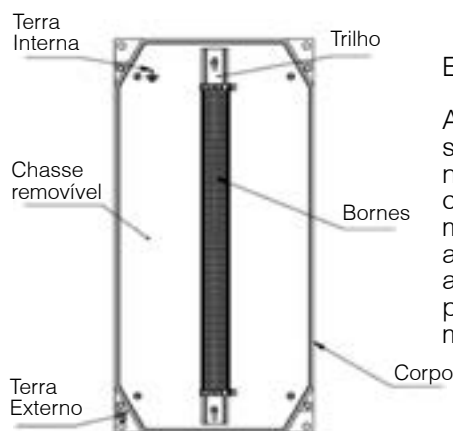


## QUANTIDADE MÁXIMA DE ENTRADAS - LATERAIS MAIORES

	NPT / BSP	1/2"	3/4"	1 "	1.1/4"	1.1/2"	2 "	2.1/2"	3 "	4 "
Código	Métrica	M20	M25	M32	M40	M50	M63	M75	M90	M100
CX/R14P-12		2	2	1	---	---	---	---	---	---
CX/R14P-14		2	1	1	1	1	---	---	---	---
CX/R14P-17		2	1	1	1	1	1	---	---	---
CX/R14P-22		2	2	1	1	1	1	---	---	---
CX/R14P-27		3	3	2	2	2	1	---	---	---
CX/R14P-35		4	4	3	2	2	2	---	---	---
CX/R14P-45		5	5	4	4	3	2	---	---	---
CX/R14Q-22		4	4	1	1	1	1	1	1	---
CX/R14M-22		4	2	1	1	1	1	1	1	---
CX/R14M-27		6	4	2	1	1	1	1	1	---
CX/R14M-35		8	6	3	2	2	1	1	1	---
CX/R14M-40		10	8	4	3	3	2	2	2	---
CX/R14M-45		12	10	4	3	3	2	2	2	---
CX/R14M-50		12	12	5	4	3	3	2	2	---
CX/R14M-55		16	14	6	5	4	3	3	2	---
CX/R14M-60		16	16	7	5	5	3	3	3	---
CX/R14M-70		20	18	8	6	5	4	4	3	---
CX/R14G-40		15	12	8	6	6	2	2	2	1
CX/R14G-45		15	15	8	6	6	2	2	2	2
CX/R14G-50		21	21	12	8	8	3	3	2	2
CX/R14G-55		24	21	12	10	8	3	3	2	2
CX/R14G-60		24	24	14	10	10	3	3	3	2
CX/R14G-70		30	27	16	12	10	4	4	3	3
CX/R14G-90		42	39	22	16	16	6	5	5	4
CX/R14G-95		56	52	33	27	16	12	10	5	4
CX/R14G-100		60	56	36	30	16	12	12	5	4
CX/R14E-55		15	12	8	6	6	2	2	2	1
CX/R14E-80		42	39	22	16	16	6	5	5	4

## DISTÂNCIA "X" (mm)

Ø NOMINAL		X
NPT / BSP	Métrica	
1/2"	M20	25
3/4"	M25	30
1 "	M32	32
1.1/4"	M40	37
1.1/2"	M50	40
2 "	M63	45
2.1/2"	M75	55
3 "	M90	60
4 "	M100	70



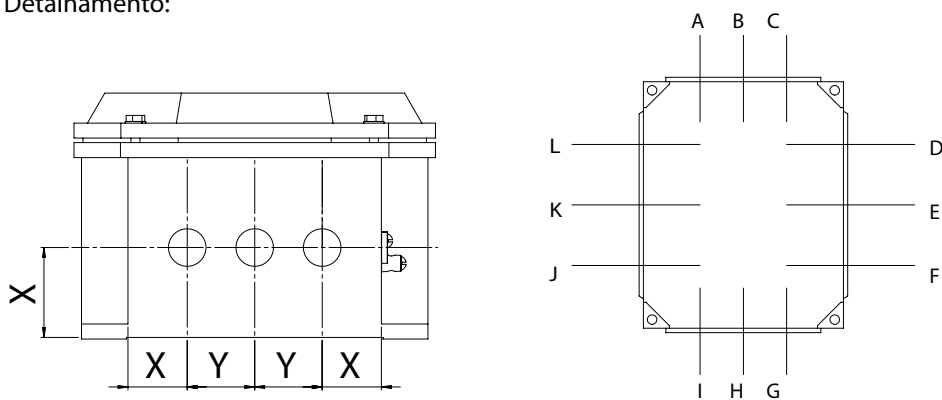
## ENTRADAS ROSQUEADAS

As entradas rosqueadas devem ser especificadas conforme necessidade, levando em consideração as distâncias mínimas e as posições informadas abaixo ou conforme tabelas com as máximas furações possíveis, para laterais menores e laterais maiores.

## DISTÂNCIA "Y" MÍNIMA DAS FURAÇÕES (mm)

Ø NOMINAL		DISTÂNCIA "Y" MÍNIMA DAS FURAÇÕES (mm)								
NPT / BSP	Métrica	1/2"	3/4"	1 "	1.1/4"	1.1/2"	2 "	2.1/2"	3 "	4 "
		M20	M25	M32	M40	M50	M63	M75	M90	M100
1/2"	M20	54	56	61	70	76	94	97	107	119
3/4"	M25	56	58	63	72	78	96	99	119	121
1 "	M32	61	63	68	77	83	101	104	114	126
1.1/4"	M40	70	72	77	86	92	110	113	123	135
1.1/2"	M50	76	78	83	92	98	116	119	129	141
2 "	M63	94	96	101	110	116	134	137	147	159
2.1/2"	M75	97	99	104	113	119	137	140	150	162
3 "	M90	107	119	114	123	129	147	150	160	172
4 "	M100	119	121	126	135	141	159	162	172	184

Detalhamento:



**APLICAÇÕES USUAIS:**



Eletroduto  
Pesado



União  
MF / FF



Prensa Cabo

Para Especificar:	<p><b>CX/R14P-14</b></p> <p>CX/R14P-14 CX/R14P-12</p>	<p><b>H1</b></p> <p>H1 H2 H3</p>	<p><b>N</b></p> <p>NPT (N) BSP (B) Métrica (M) Passante (P)</p>	<p>---</p> <p>3/4" L; 1" F</p>	<p><b>Exemplo:</b></p> <p><b>1) CX/R14P-14H1</b> Caixa de ligação R14 tamanho P-14 com tampa H1, vazia, sem furos de entrada.</p> <p><b>2) CX/R14P-12H1N</b> (Especificar posições de entradas e bitolas, nº de bornes e acessórios). Caixa de ligação R14 tamanho P-12 com tampa H1, com entrada na posição L de 3/4" NPT e entrada na posição F de 1" NPT, com uma régua com 8 bornes de 0,5 – 2,5 mm<sup>2</sup>, com prensa-cabos A2F nas entradas.</p>
	<p>Código</p>	<p>Tampa</p>	<p>Tipo de Rosca</p>	<p>Especificar Nº de Entradas + Bitola + Posição</p>	
	<p>---</p> <p>8 de 0,5 – 2,5 mm<sup>2</sup></p>	<p>---</p> <p>Prensa-cabos A2F União Macho-Fêmea</p>			
	<p>Quantidade de Bornes e Seção</p>	<p>Especificar Acessórios</p>			

\* Se necessário para facilitar a definição das furações, enviar desenho.

